

FILE: J:\CUSTDWG\CATRL\CD-00203

INDUCTANCE

LOSSES

WEIGHT

32 mH

16 Watts

4 Lbs

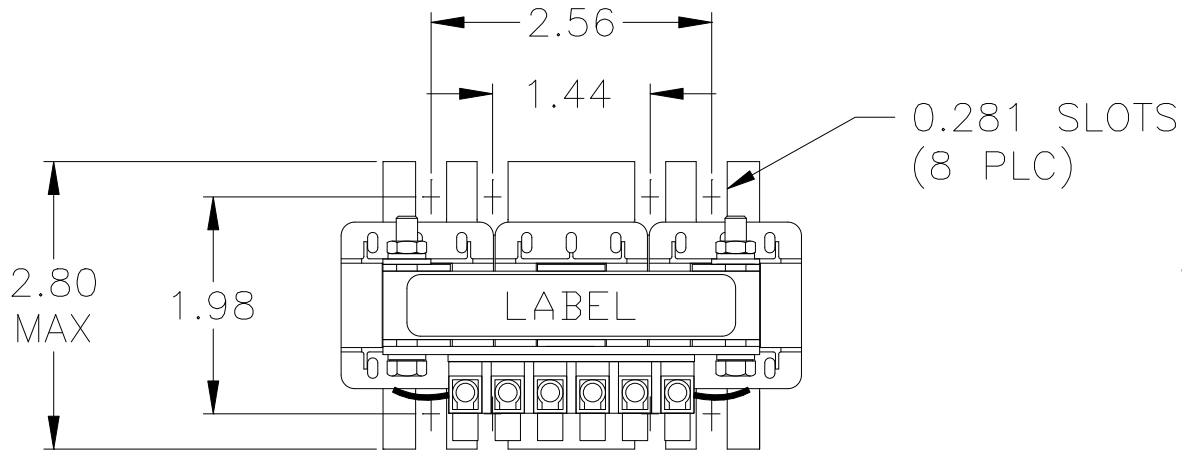
NO.

CHANGE DESCRIPTION

BY

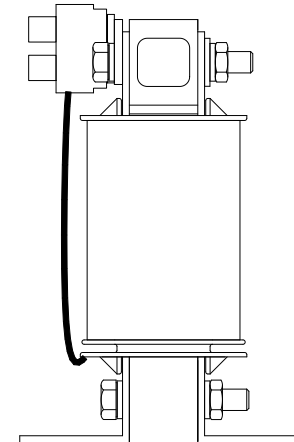
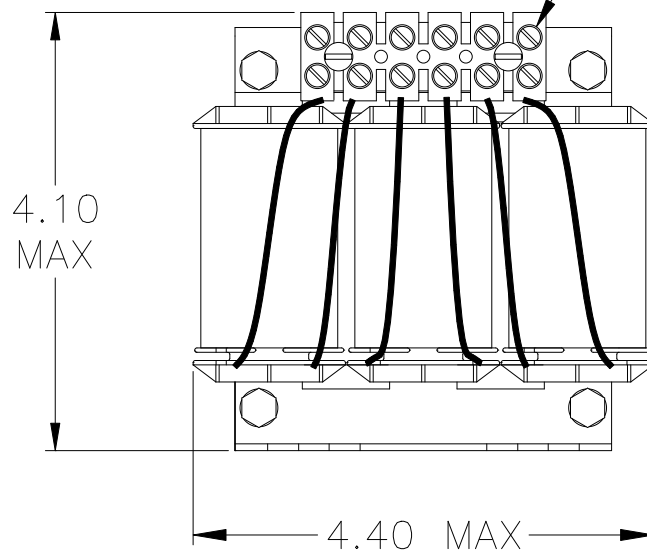
DATE

C'K'D



WIRE RANGE: 22-10 AWG

CAUTION-TERMINAL SCREW TIGHTENING
TORQUE: 4.5 in-lb MAX.



UNLESS OTHERWISE SPECIFIED, DIMENSIONS ARE IN INCHES [mm] AND TOLERANCES ARE:

DECI. FRAC.

ANGLES DRILLED HOLES

PART NAME: 3-PHASE REACTOR

DESCRIPTION: OUTLINE DIMENSION

FINISH:

MTE CORPORATION
MENOMONEE FALLS, WISCONSIN

RL-00203

REV.
09

SCALE	NTS	DATE	03/06/90	C'K'D
REF.		DR. BY	SJW	APP'D